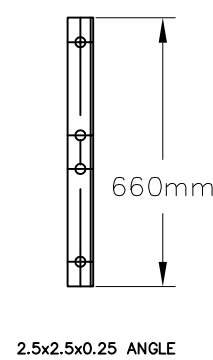
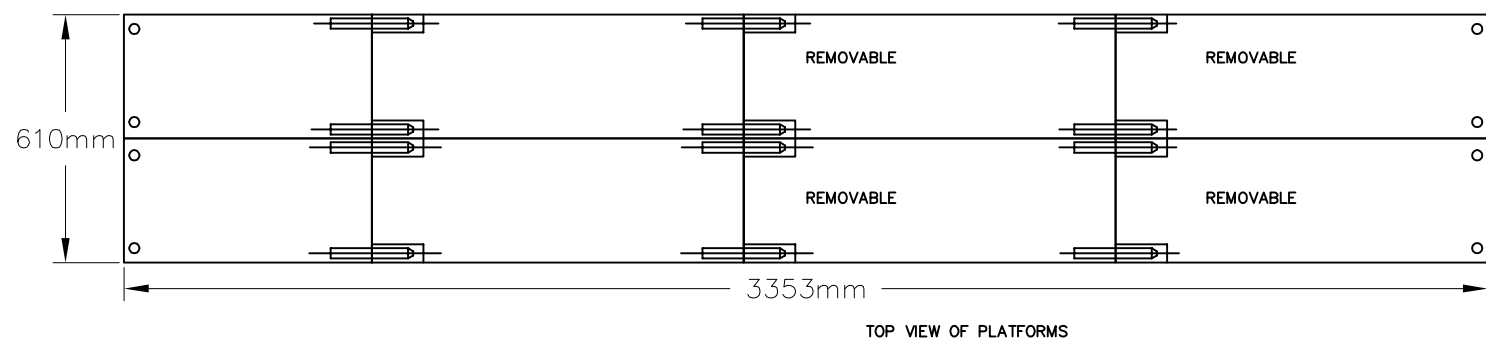
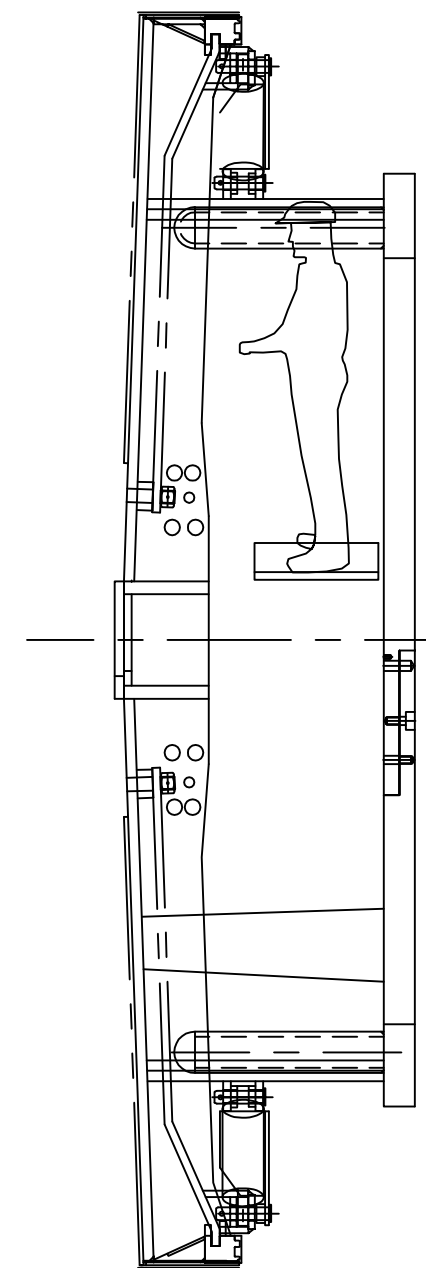
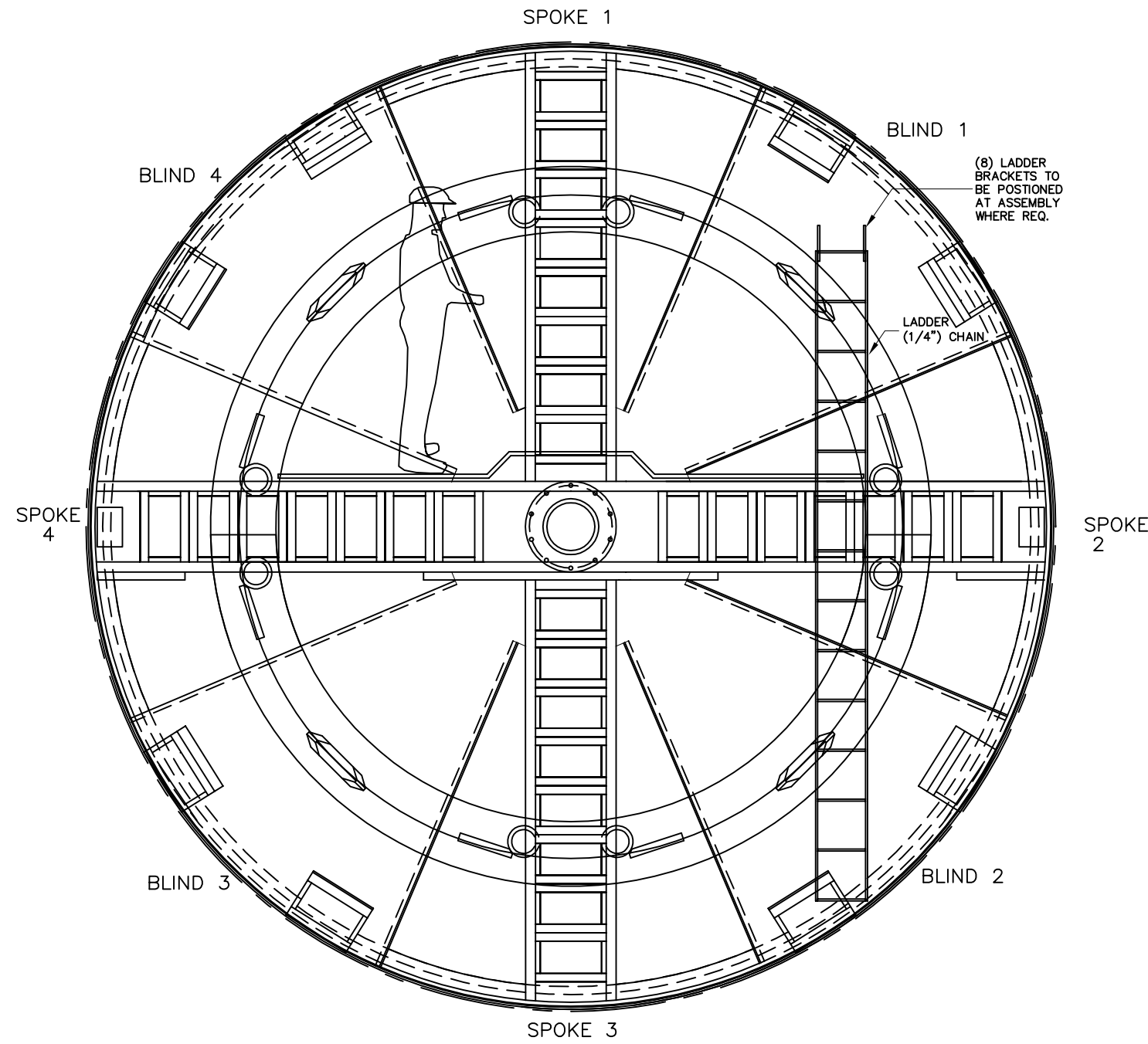



1	2	3	4	5	6	7	8	9	10	11	12
---	---	---	---	---	---	---	---	---	----	----	----

REV.	DESCRIPTION	BY	DATE



ITEM	QTY	DESCRIPTION	PART No.	STOCK
QUANTITY OF TOTAL ASSEMBLIES: 1			CUSTOMER: METRO MOSCOW	
WEIGHT: 29000 KGS/LBS			PROJECT: RME242SE series 17000	
UNLESS SPECIFIED, ALL UNITS ARE: IMPERIAL: <input type="checkbox"/> (Inches) METRIC: <input checked="" type="checkbox"/> (MM)		TITLE: CUTTING HEAD WORKING PLATFORM		
DESIGNED:	T.T	FILE: I:\ENG\AUTOCAD\TBM1\242170\PARTS-BO		
DRAWN:	24-04-98 RMT	DRAWING NO.: 1701-650		
REVIEWED:	14-05-98	SHEET 1 OF 1 SHEET(S)		
APPROVED:	DATE BY	SIZE: B		
WORK ORDER No.:	SCALE: 1:16	REV: 0		
170				